

MARKER POSTS

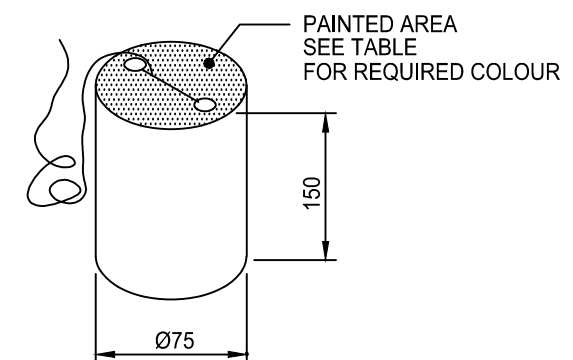
TYPICAL PLATE ARRANGEMENT

VALVE MARKER PLATES

HEAT APPLIED ROAD MARKER

MAY BE FIXED TO POST, KERB OR BUILDING

COLOUR IDENTIFICATION TABLE FOR SURFACE FITTINGS				
COLOUR COVER	RED	WHITE	BLUE	YELLOW
PLASTIC IDENTIFICATION COVER	CLOSED VALVE	OPEN VALVE	DIALYSIS PATIENT	N/A
SURFACE BOX FOR STOP VALVE	NORMALLY CLOSED VALVE	SERVICE STRUCTURE FITTINGS (RESERVOIRS, WPS, ETC)	N/A	TRUNK & RETICULATION MAIN FITTINGS



PLASTIC IDENTIFICATION COVER FOR SLUICE VALVE SPINDLES
(SEE NOTE 9)

NOTES:

- ALL DIMENSIONS IN MILLIMETRES.
- TYPE, LOCATION AND ORIENTATION OF MARKERS TO BE IN ACCORDANCE WITH RELEVANT WATER AGENCY REQUIREMENTS.
- DISTANCE TO AND SIZE OF MAIN/FITTING TO BE MARKED ON POST OR MARKER PLATE.
 - NUMBERS TO BE 12 (MIN) HIGH.
 - NUMBERS TO BE PAINTED OR PUNCHED TO CREATE A PERMANENT IDENTIFICATION.
 - TOP NUMBER TO BE DISTANCE TO MAIN (m).
 - BOTTOM NUMBER TO BE DN OF MAIN (mm).
- LOCATE MARKERS AT RIGHT ANGLES TO THE MAIN WITH MARKINGS FACING TOWARDS THE VALVE OR HYDRANT.
- METALLIC MARKER PLATES TO BE REFLECTIVE WHITE WITH NON-REFLECTIVE LETTERING. LETTERING COLOUR TO BE HOMEBUSH RED (R22), LILAC (P23) OR OTHER COLOURS TO AS 2700 AS APPROPRIATE TO USAGE. MARKER PLATE LETTERS TO BE 80 HIGH x 40 WIDE x 10 STROKE WIDTH.
- COLOURED MARKER TOPS ON TYPE "B" POSTS TO BE:
 - WATER (GENERAL) - BLUEBELL (B41).
 - HYDRANTS - HOMEBUSH RED (R22).
- INSTALL TYPE "A" AND TYPE "B" MARKER POSTS AS SPECIFIED BY WATER AGENCY.
- RAISED PAVEMENT RETROREFLECTIVE MARKERS TO COMPLY WITH AS 1906.3
- WHERE SPECIFIED BY WATER AGENCY INSTALL PLASTIC IDENTIFICATION COVERS. TOP OF IDENTIFICATION COVERS AND SURFACE BOXES TO BE PAINTED WITH AN APPROVED ROAD MARKING PAINT. SEE TABLE FOR COLOUR CODES.

P1	PRELIMINARY ISSUE	XXX	XXX
ISSUE	AMENDMENTS	DRAWN	DATE



DRAWN
SCALENTS.....
SHEET SIZE: A3

WINGECARRIBEE SHIRE COUNCIL			
VALVE IDENTIFICATION MARKERS & MARKER POSTS			
DATE: 02/09/2010	PLAN No: WSC-WAT-002	SHEET 1 OF 1	ISSUE A