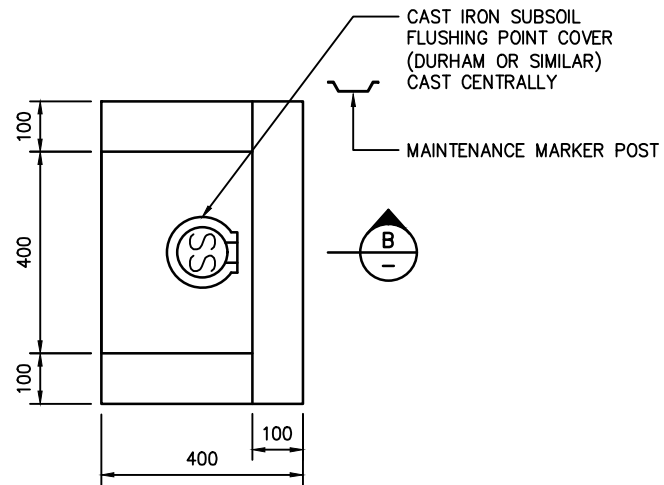
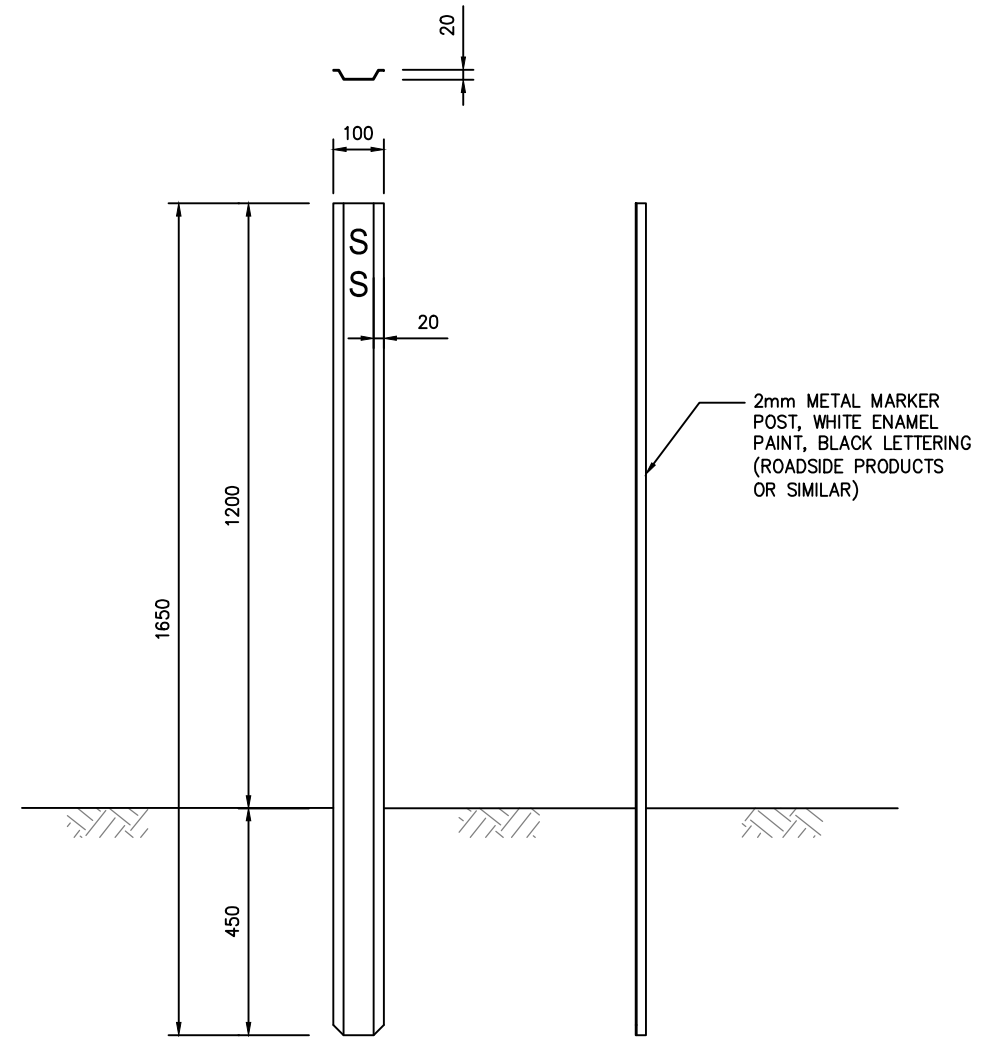


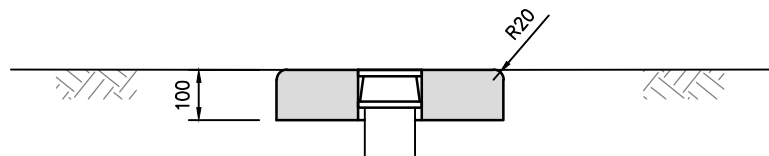
PLAN
SUBSOIL DRAIN CLEAN-OUT
STRUCTURE - TYPE A



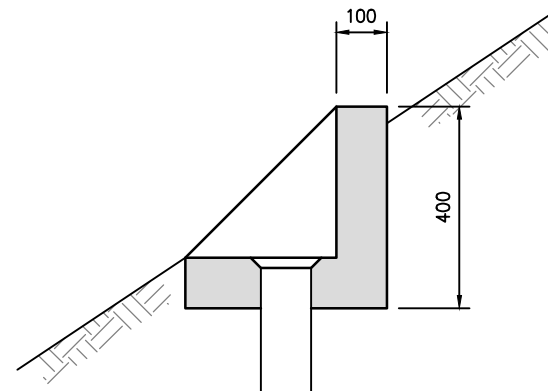
PLAN
SUBSOIL DRAIN CLEAN-OUT
STRUCTURE - TYPE B



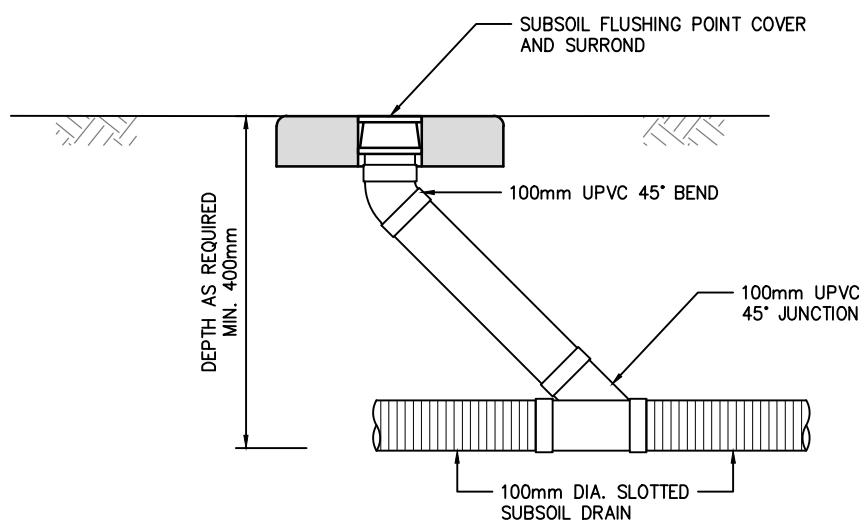
SUBSOIL MARKER POST DETAIL
(PLACED BACK OF TABLE DRAIN - RURAL SITUATIONS)



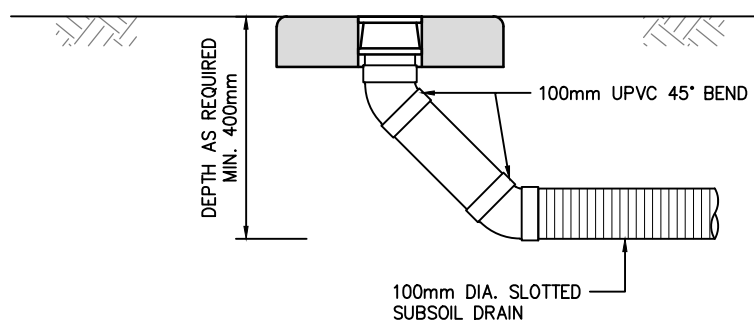
SECTION A-A
SCALE NTS



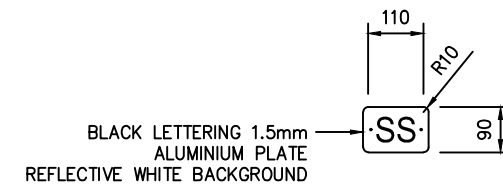
SECTION B-B
SCALE NTS



**TYPICAL SUBSOIL DRAIN
FLUSHING POINT - TYPE A**



**TYPICAL SUBSOIL DRAIN
FLUSHING POINT - TYPE B**



SUBSOIL MARKER PLATE DETAIL
(PLACED FACE OF KERB - URBAN SITUATIONS)

A	ORIGINAL DRAWING	KSC	25/01/21
ISSUE	AMENDMENTS	DRAWN	DATE



DRAWN KSC
NOT TO
SCALE SCALE
SHEET SIZE: **A3**

APPROVED
[Signature]
GROUP MANAGER
INFRASTRUCTURE SERVICES
D.L.

WINGECARRIBEE SHIRE COUNCIL			
STANDARD DRAWING			
SUBSOIL DRAINAGE FITTINGS & MARKER DETAILS			
DATE: 25/01/2021	PLAN No: SD120E	SHEET 5 OF 5	ISSUE P1