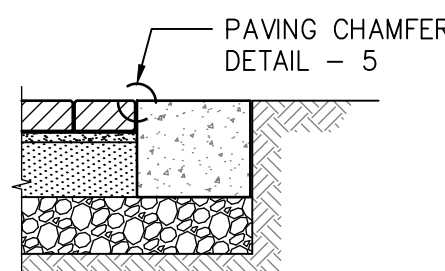
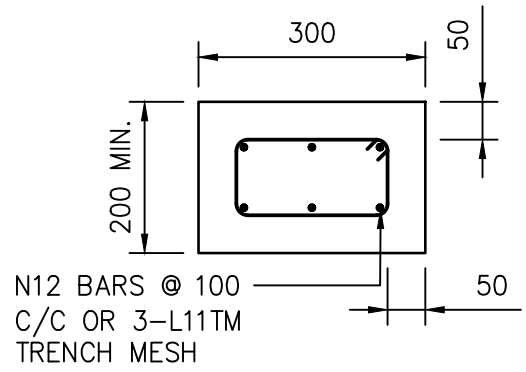


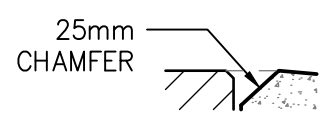
KERB & GUTTER
DETAIL 1
 SCALE NTS



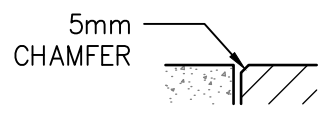
EDGE RESTRAINT
DETAIL 2
 SCALE NTS



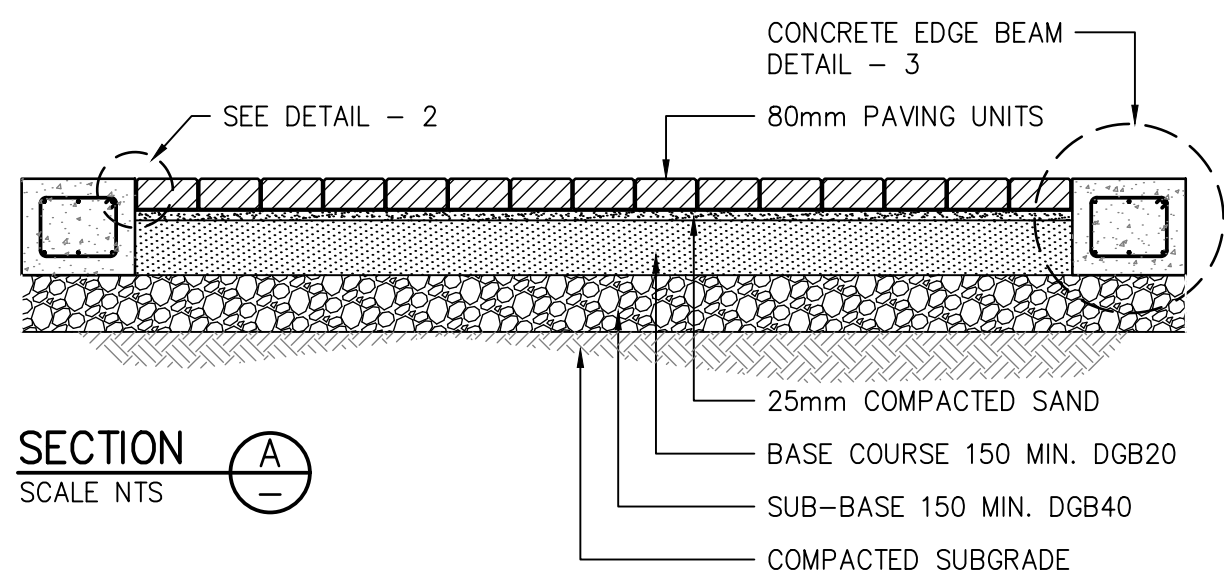
DETAIL 3
 SCALE NTS



DETAIL 4
 SCALE NTS



DETAIL 5
 SCALE NTS



NOTES:

1. THIS STANDARD DRAWING IS RELEVANT WHEN PROPOSING CONCRETE SEGMENTAL OR CLAY PAVER SURFACED PAVEMENTS/THRESHOLD TREATMENTS SERVICING UP TO 20 RESIDENTIAL LOTS.
2. MINIMUM SEGMENTAL CONCRETE PAVER THICKNESS (mm) SHALL BE 80.
3. MINIMUM CHARACTERISTIC BREAKING LOAD SHALL BE (kN) 5.
4. MINIMUM CHARACTERISTIC FLEXURAL STRENGTH SHALL BE (MPa) 3.
5. MINIMUM SLIP RESISTANCE (COEFFICIENT OF FRICTION) SHALL BE 0.4.
6. MINIMUM ABRASION RESISTANCE (MEAN ABRASION INDEX) SHALL BE 5.
7. MINIMUM F'c FOR CONCRETE EDGE BEAM (MPa) SHALL BE 32.
8. PAVEMENT THICKNESS SHALL BE DETERMINED FOLLOWING ESTIMATION OF:
 - EQUIVALENT STANDARD AXLES (ESA) BASED A MINIMUM 40 YEAR EXPECTED PAVEMENT DESIGN LIFE AND;
 - LABORATORY TESTING OF SOAKED CBR OF SUBGRADE MATERIAL.
9. REGARDLESS OF SUBGRADE SOAKED CBR RESULTS AND ESA DETERMINATION. MINIMUM OVERALL PAVEMENT THICKNESS SHALL BE 400mm INCLUDING PAVER THICKNESS.
10. PROVISION OF SUBSOIL DRAINAGE LINES AND FLUSHING POINTS ON BOTH SIDES OF THE ROAD IS MANDATORY IN THE CONSTRUCTION OF SEGMENTAL PAVERS SURFACED PAVEMENTS, REGARDLESS OF THE LENGTH OF PAVEMENT.
11. REFER CONCRETE MASONRY ASSOCIATION OF AUSTRALIA (CMAA) GUIDELINES FOR FURTHER DETAILS WHEN PROPOSING CONCRETE SEGMENTAL PAVER SURFACED PAVEMENTS/THRESHOLDS:
 - PA01 - CONCRETE SEGMENTAL PAVEMENTS - DETAILING GUIDE AND;
 - PA02 - CONCRETE SEGMENTAL PAVEMENTS - DESIGN GUIDE FOR RESIDENTIAL ACCESSWAYS & ROADS
12. REFER THINK BRICK AUSTRALIA GUIDELINES FOR FURTHER DETAILS WHEN PROPOSING CLAY PAVER SURFACED PAVEMENTS/THRESHOLDS TREATMENTS:
 - MANUAL 1 CLAY PAVING MANUAL
13. REFER ALSO COUNCIL ENGINEERING DESIGN AND CONSTRUCTION SPECIFICATIONS FOR FURTHER REQUIREMENTS.

A	REVISED ISSUE	SJG	25/01/21
ISSUE	AMENDMENTS	DRAWN	DATE



DRAWN SJG
 NOT TO SCALE
 SCALE
 SHEET SIZE: **A3**

APPROVED

 GROUP MANAGER
 INFRASTRUCTURE SERVICES
 D.L.

WINGECARRIBEE SHIRE COUNCIL

**STANDARD DRAWING
 THRESHOLD TREATMENT**

DATE: 25/01/2021 PLAN No: **SD125** SHEET 1 OF 1 ISSUE **A**