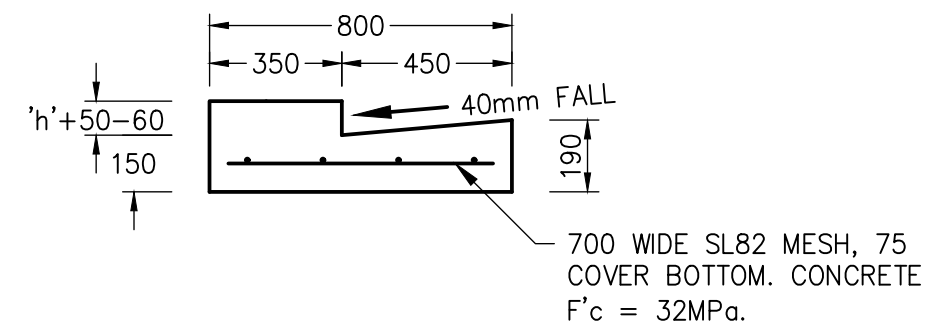
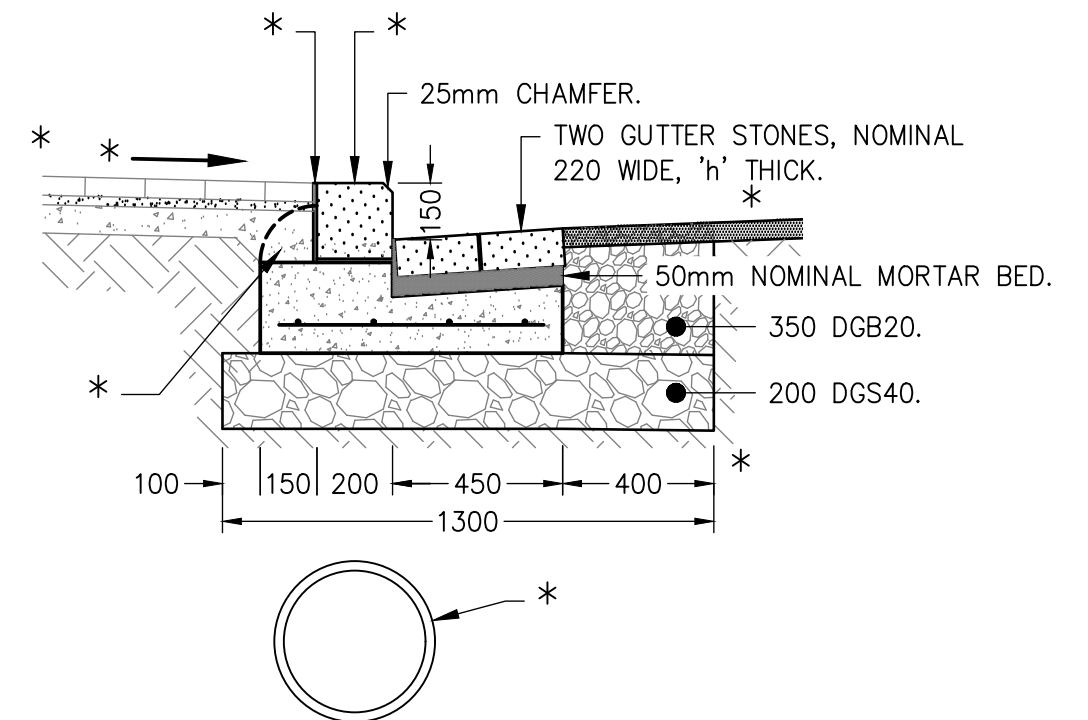


TYPE A – CONCRETE GUTTER DETAIL

* SEE CORRESPONDING NOTES IN "TYPE A" FOR DETAIL.



TYPE B – STONE GUTTER DETAIL

NOTE:

- IF CONCRETE GUTTER IS EXTRUDED USING NO-SLUMP CONCRETE, THEN SL82 STEEL MESH, CAN BE OMITTED.
- VERTICAL MORTAR JOINTS BETWEEN STONE BLOCKS SHALL BE COLOURED WITH A MID GREY OXIDE TO IMPROVE APPEARANCE.

A	ORIGINAL ISSUE	TZ	25/01/21
ISSUE	AMENDMENTS	DRAWN	DATE



DRAWNTZ..

SCALE1:20.

SHEET SIZE: **A3**

APPROVED

[Signature]

GROUP MANAGER
INFRASTRUCTURE SERVICES
D.L.

WINGECARRIBEE SHIRE COUNCIL

STANDARD DRAWING
TRACHYTE STONE KERB DETAIL

DATE: 25/01/2021 PLAN No: SD153 SHEET 1 OF 1 ISSUE **A**