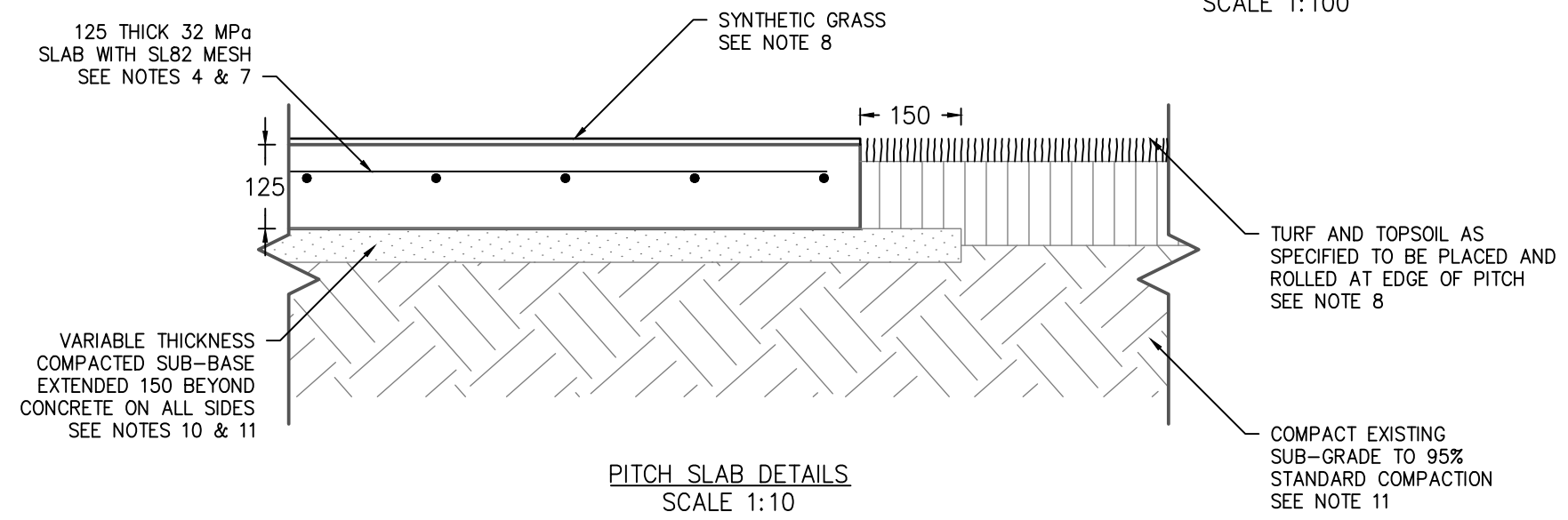


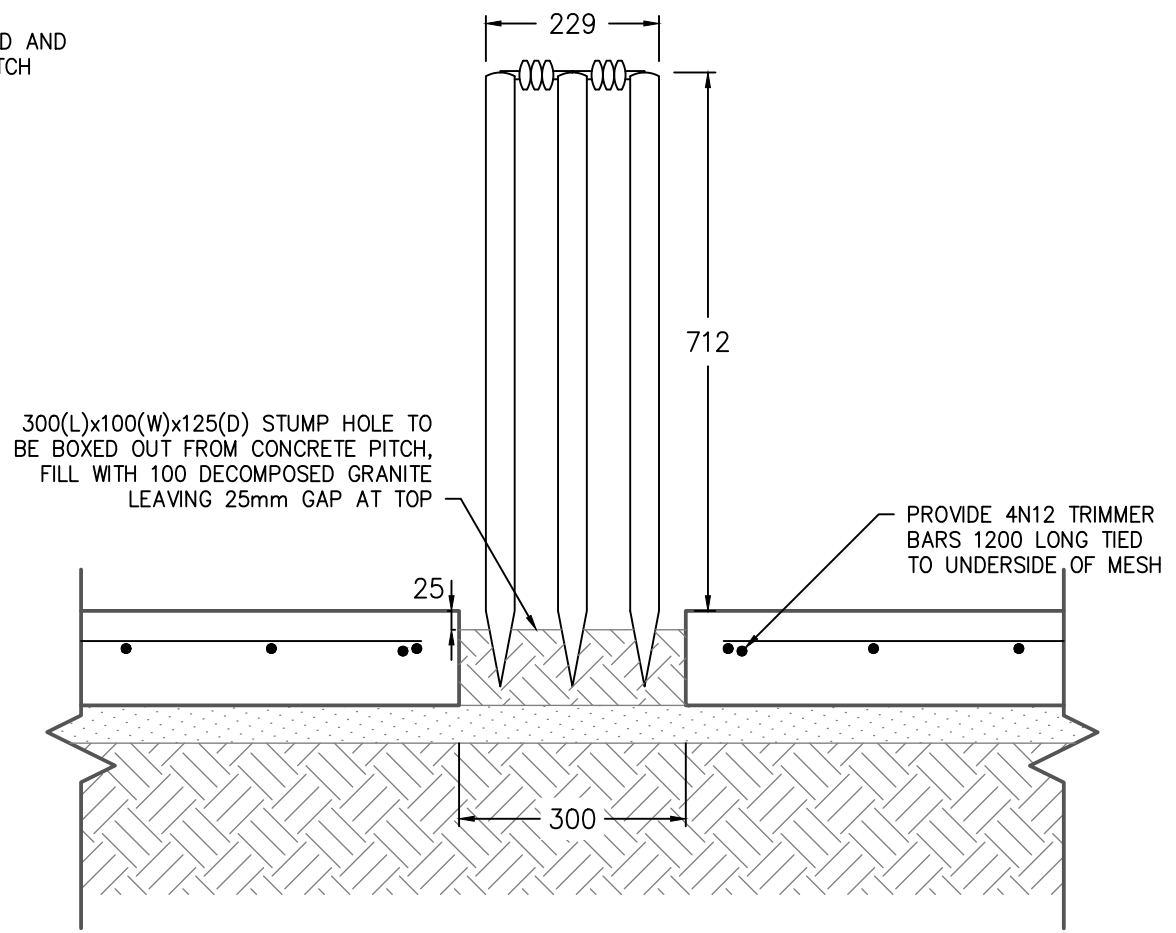
PITCH PLAN
SCALE 1:100

NOTE:

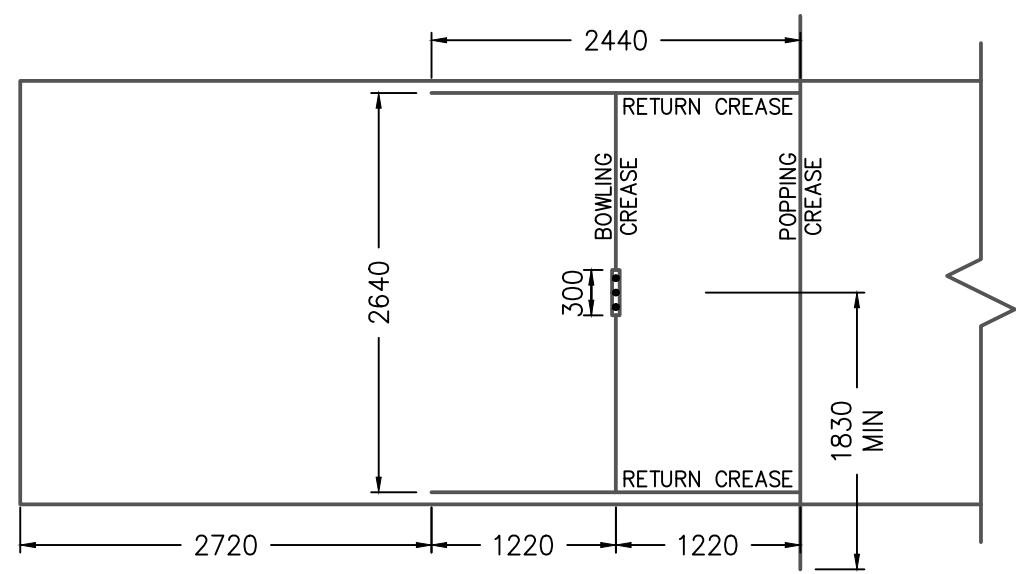
1. TO BE READ IN CONJUNCTION WITH SD162B



PITCH SLAB DETAILS
SCALE 1:10



STUMP DETAILS
SCALE 1:10



CREASE PLAN
SCALE 1:50

A	ORIGINAL ISSUE	KC	25/01/21
ISSUE	AMENDMENTS	DRAWN	DATE



DRAWNKC..
SCALE AS SHOWN
SHEET SIZE: **A3**

APPROVED
[Signature]
GROUP MANAGER
INFRASTRUCTURE SERVICES
D.L.

WINGECARRIBEE SHIRE COUNCIL

STANDARD DRAWING
PATHS WITHIN TREE PROTECTION ZONE

DATE: 25/01/2021	PLAN No: SD162A	SHEET 1 OF 2	ISSUE A
------------------	-----------------	--------------	----------------