

✓ ACCEPTED ITEMS



Toys



Cutlery & crockery
(Secured not loose)



Clothing



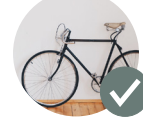
Furniture



Kitchen appliances



Mattresses
(one per property)



Bikes



Metals & white goods

Separate metal pile

LIMITATIONS:

- Offcuts of sawn timber up to 1.8m in length
- One mattress allowed per property
- Empty water heater systems up to 80L and 900mm in height

✗ NOT ACCEPTED ITEMS



Asbestos or items contaminated with asbestos



Car tyres & batteries



Vehicle engines or mechanical parts



Chemicals & hazardous waste (oils, paints, pesticides, herbicides)



Demolition waste (bricks, fibro, concrete)



Electronic waste (TV's, computers, phones)



Oil heaters



Food or garden waste



Glass & mirrors



Gas bottles, fire extinguishes



Refrigerators, air conditioners, freezers

Any waste in excess, or items not accepted, will have to be removed and disposed of by the resident. Penalties may apply if the material is not removed.

2024-2025 WASTE COLLECTION

JULY

M	T	W	T	F	S	S
1	2	3	4	5	6	7
8	9	10	11	12	13	14
15	16	17	18	19	20	21
22	23	24	25	26	27	28
29	30	31				

AUGUST

M	T	W	T	F	S	S
			1	2	3	4
5	6	7	8	9	10	11
12	13	14	15	16	17	18
19	20	21	22	23	24	25
26	27	28	29	30	31	

SEPTEMBER

M	T	W	T	F	S	S
						1
2	3	4	5	6	7	8
9	10	11	12	13	14	15
16	17	18	19	20	21	22
23	24	25	26	27	28	29
30						

OCTOBER

M	T	W	T	F	S	S
		1	2	3	4	5
6	7	8	9	10	11	12
13	14	15	16	17	18	19
20	21	22	23	24	25	26
27	28	29	30	31		

NOVEMBER

M	T	W	T	F	S	S
					1	2
3	4	5	6	7	8	9
10	11	12	13	14	15	16
17	18	19	20	21	22	23
24	25	26	27	28	29	30

DECEMBER

M	T	W	T	F	S	S
						1
2	3	4	5	6	7	8
9	10	11	12	13	14	15
16	17	18	19	20	21	22
23	24	25	26	27	28	29
30	31					

JANUARY

M	T	W	T	F	S	S
		1	2	3	4	5
6	7	8	9	10	11	12
13	14	15	16	17	18	19
20	21	22	23	24	25	26
27	28	29	30	31		

FEBRUARY

M	T	W	T	F	S	S
					1	2
3	4	5	6	7	8	9
10	11	12	13	14	15	16
17	18	19	20	21	22	23
24	25	26	27	28		

MARCH

M	T	W	T	F	S	S
					1	2
3	4	5	6	7	8	9
10	11	12	13	14	15	16
17	18	19	20	21	22	23
24	25	26	27	28	29	30
31						

APRIL

M	T	W	T	F	S	S
		1	2	3	4	5
6	7	8	9	10	11	12
13	14	15	16	17	18	19
20	21	22	23	24	25	26
27	28	29	30			

MAY

M	T	W	T	F	S	S
			1	2	3	4
5	6	7	8	9	10	11
12	13	14	15	16	17	18
19	20	21	22	23	24	25
26	27	28	29	30	31	

JUNE

M	T	W	T	F	S	S
						1
2	3	4	5	6	7	8
9	10	11	12	13	14	15
16	17	18	19	20	21	22
23	24	25	26	27	28	29
30						

Weekly Recycling

Landfill & Recycling
Landfill & Organics

Week B

Landfill & Recycling
Landfill & Organics

Week A



We're with you

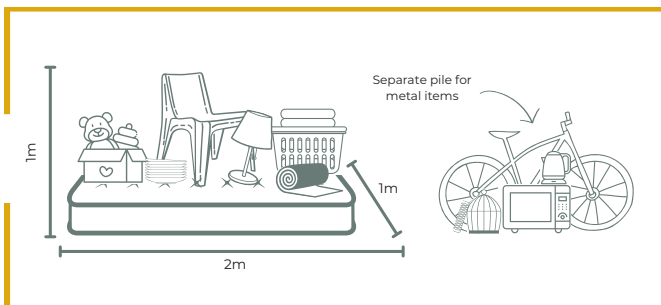


Call 1300 133 969
to book your Bulky Waste Collection

! SERVICE INFORMATION

Introducing the revised Bulky Waste Collection Service, available for property owners currently paying the Domestic Waste Service charge as part of their rates. **Starting July 1st, 2024**, property owners can **call 1300 133 969** to book their collection. **A limit of 2 collections per financial year for each property.** See a more detailed list of eligibility and presentation requirements below:

Total waste volume not exceeding **2m³**



- Place your bulky waste in 2 separate piles (General waste and one mattress, and another for metal items).
- Each property is limited to 2m³ per collection, with dimensions not exceeding 1 metre in height, 1 metre in width, and 2 metres in length.
- Bulky waste should be set out for collection no earlier than 24 hours before your scheduled pickup day.
- Secure loose items to prevent them from being blown away.
- Do not block driveways, letterboxes, and footpaths.
- Make sure objects are clear of any overhead obstacles such as low power lines and trees.
- Do not place items out after the collection has taken place. We will not return.



3 STEPS TO BOOK YOUR BULKY WASTE KERBSIDE COLLECTION

1. Locate your suburb and find what dates we will be in the area
2. **Call 1300 133 969** to book your service (**Booking is essential**)
3. Please place your items out the Saturday and Sunday prior to your booked collection week. The truck will collect your items throughout the week (**DO NOT** add to your pile, we will not return).

For more information visit:

www.wsc.nsw.gov.au/Residents/Waste-and-Recycling



CONTACT DETAILS

Inquiries relating to Bulky Waste or Kerbside Bin missing, stolen, or damaged please contact **1300 133 969**

Need to cancel your collection? Call 1300 133 969



To change or update Kerbside Bin Services **mail@wsc.nsw.gov.au** or call **02 4868 0888**

ZONE

Week start date

ZONE	Week start date
ZONE 1 Balmoral, Buxton, Alpine, Colo Vale, Hilltop, Yerrinbool, Aylmerton, Balaclava, Braemar, Renwick, Willow Vale	1 July 2024 12 August 2024 23 September 2024 4 November 2024 16 December 2024 10 February 2025 24 March 2025 19 May 2025
ZONE 2 Mittagong, Welby, Woodlands	8 July 2024 19 August 2024 30 September 2024 11 November 2024 6 January 2025 17 February 2025 31 March 2025 26 May 2025
ZONE 3 Bowral, East Bowral	15 July 2024 26 August 2024 7 October 2024 18 November 2024 13 January 2025 24 February 2025 7 April 2025 2 June 2025
ZONE 4 Kangaloon, East Kangaloon, Glenquarry, Avoca, Burrawang, Fitzroy Falls, Robertson, Wildes Meadow, Burradoo, Medway, New Berrima, Berrima, Joadja	22 July 2024 2 September 2024 14 October 2024 25 November 2024 20 January 2025 3 March 2025 28 April 2025 9 June 2025
ZONE 5 Wingello, Bundanoon, Penrose, Sutton Forest, Exeter, Werai	29 July 2024 9 September 2024 21 October 2024 2 December 2024 27 January 2025 10 March 2025 5 May 2025 16 June 2025
ZONE 6 Moss Vale	5 August 2024 16 September 2024 28 October 2024 9 December 2024 3 February 2025 17 March 2024 12 May 2025 23 June 2025